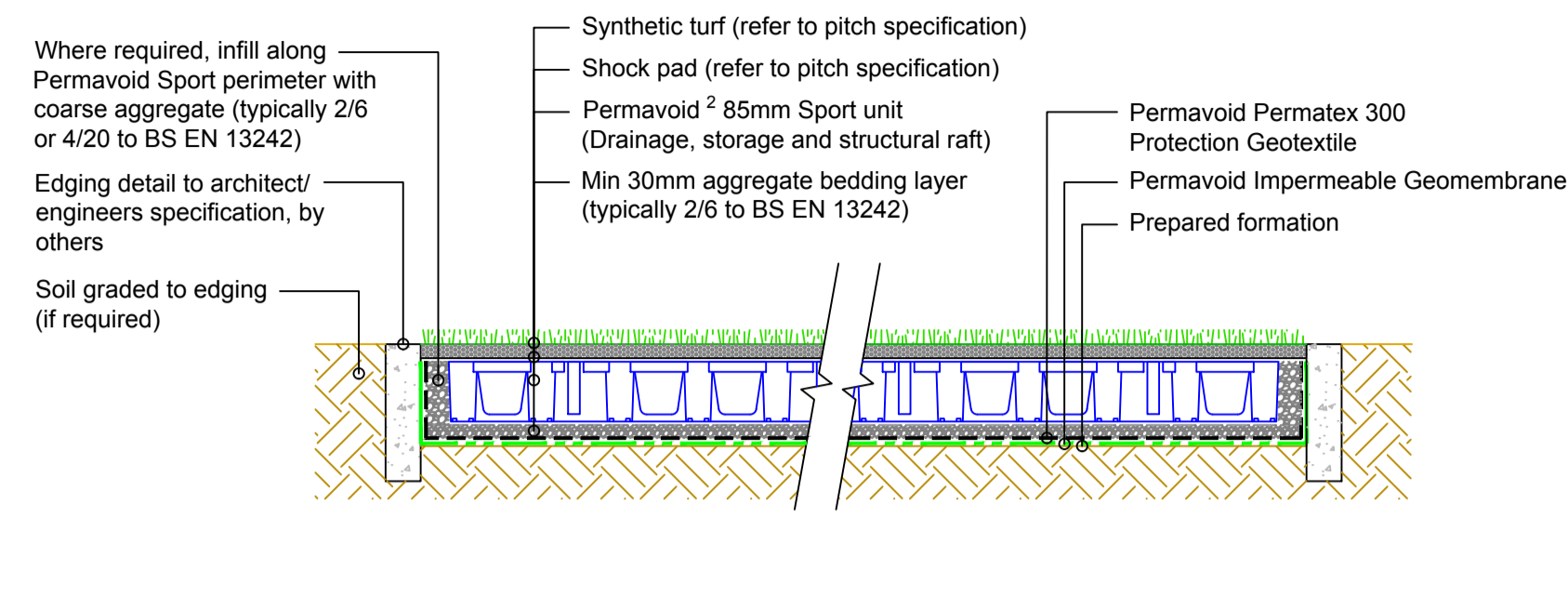
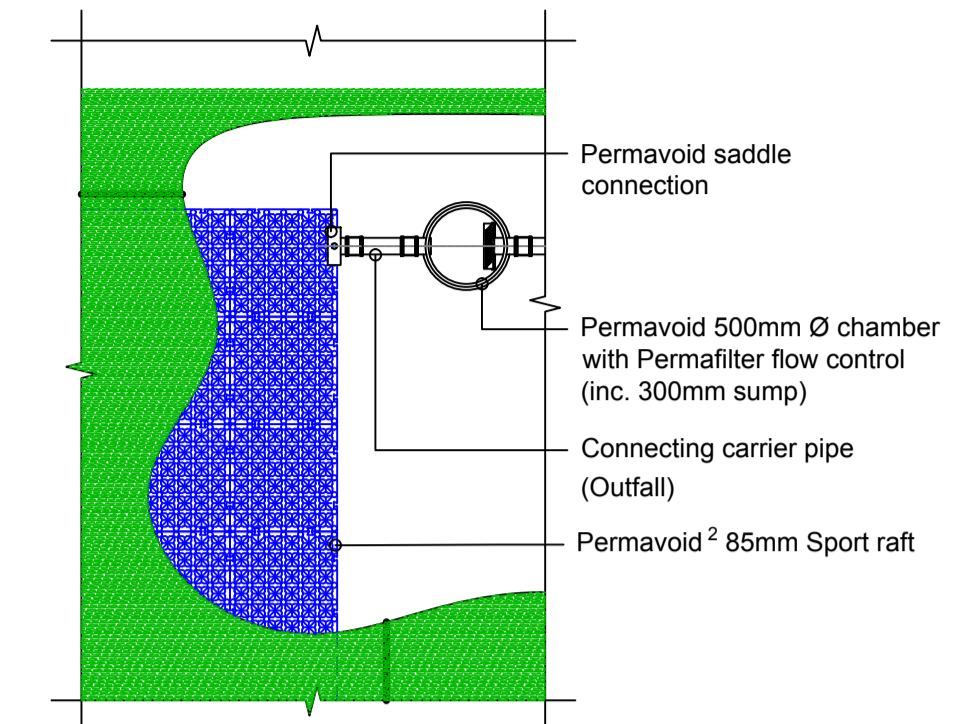


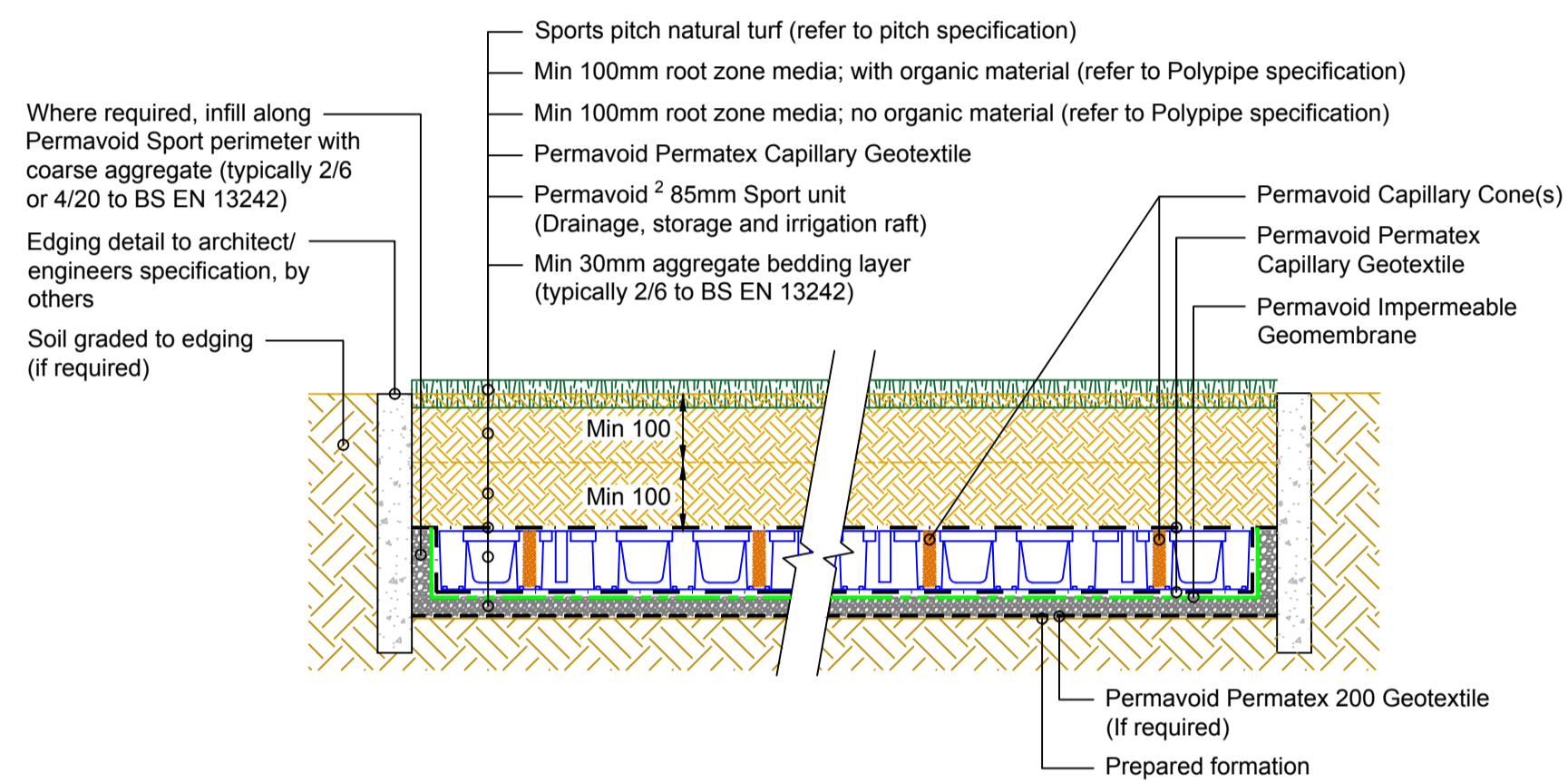
**1** PERMAVOID<sup>2</sup> 85mm SPORT RAFT  
SYNTHETIC TURF SURFACING  
SURFACE WATER INFILTRATION  
Scale 1:10



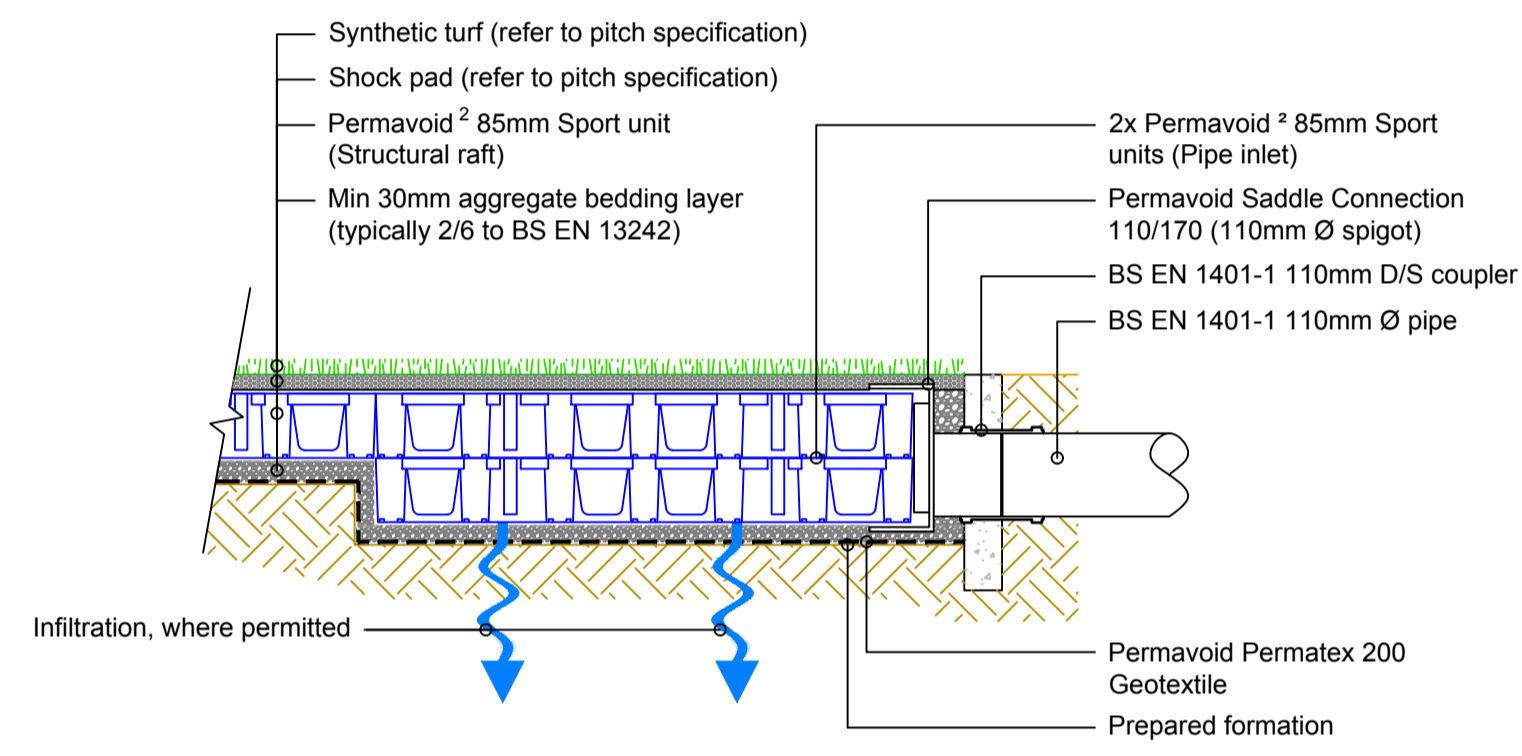
**2** PERMAVOID<sup>2</sup> 85mm SPORT RAFT  
SYNTHETIC TURF SURFACING  
SURFACE WATER ATTENUATION  
Scale 1:10



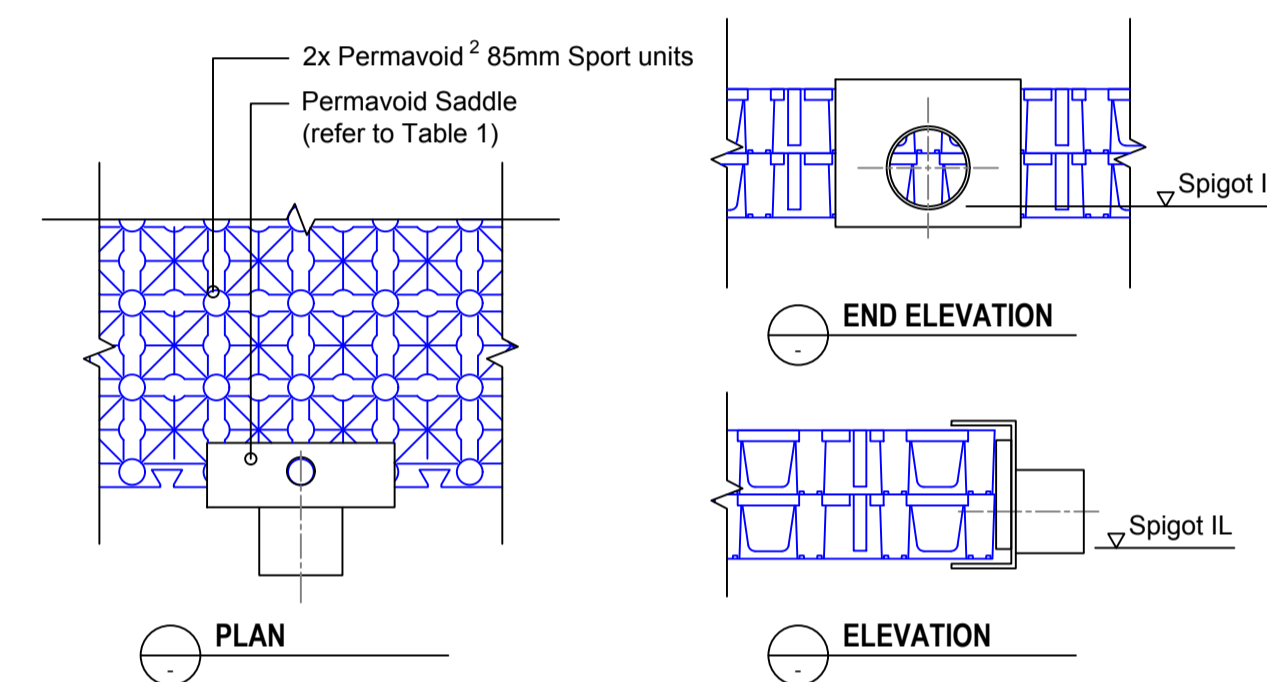
**GA1** PERMAVOID<sup>2</sup> 85mm SPORT RAFT  
TYPICAL OUTFALL  
OPTION - PERMAVOID FLOW CONTROL CHAMBER  
Scale 1:50



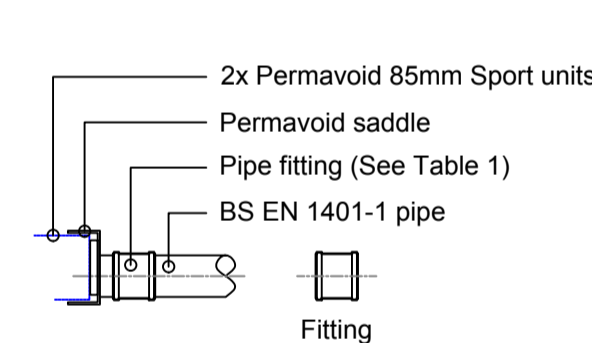
**3** PERMAVOID<sup>2</sup> 85mm SPORT RAFT  
NATURAL TURF SURFACING  
PASSIVE IRRIGATION  
Scale 1:10



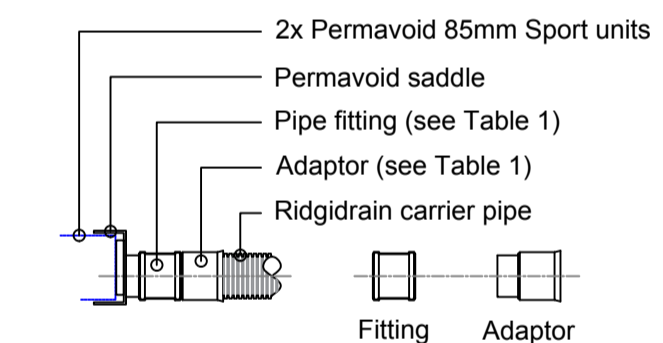
**4** PERMAVOID<sup>2</sup> 85mm SPORT RAFT WITH INLET/ OUTLET SADDLE  
SYNTHETIC TURF SURFACING  
SURFACE WATER INFILTRATION  
Scale 1:10



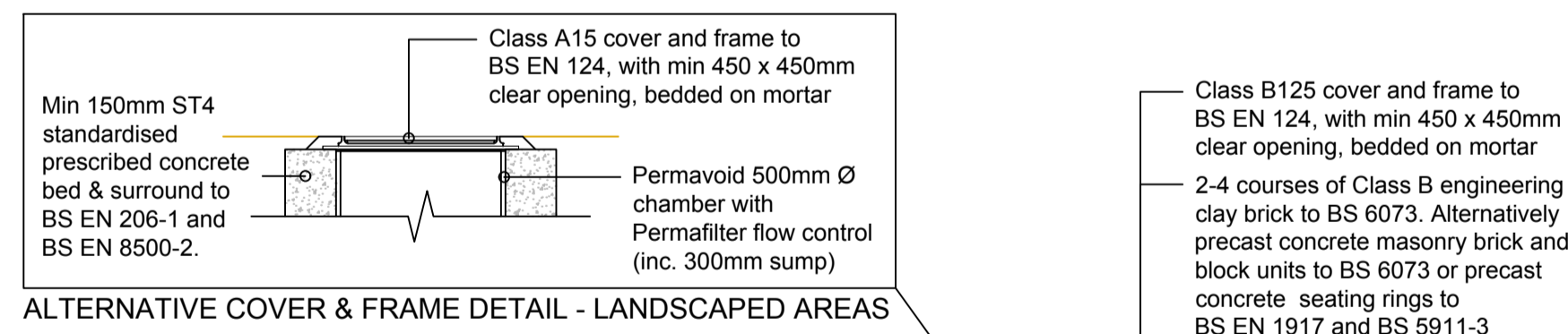
**S1** PERMAVOID<sup>2</sup> 85mm SPORT RAFT  
SADDLE CONNECTION  
Scale 1:10



**A1** PERMAVOID 85mm SPORT UNIT  
SADDLE CONNECTION  
BS EN 1401-1 PIPE  
Scale 1:20



**A2** PERMAVOID 85mm SPORT UNIT  
SADDLE CONNECTION  
RIDGIDRAIN PIPE  
Scale 1:20



**C1** PERMAVOID SPORT  
500mm Ø PERMAFILTER FLOW CONTROL  
TYPICAL UNIT INSTALLATION  
Scale 1:20

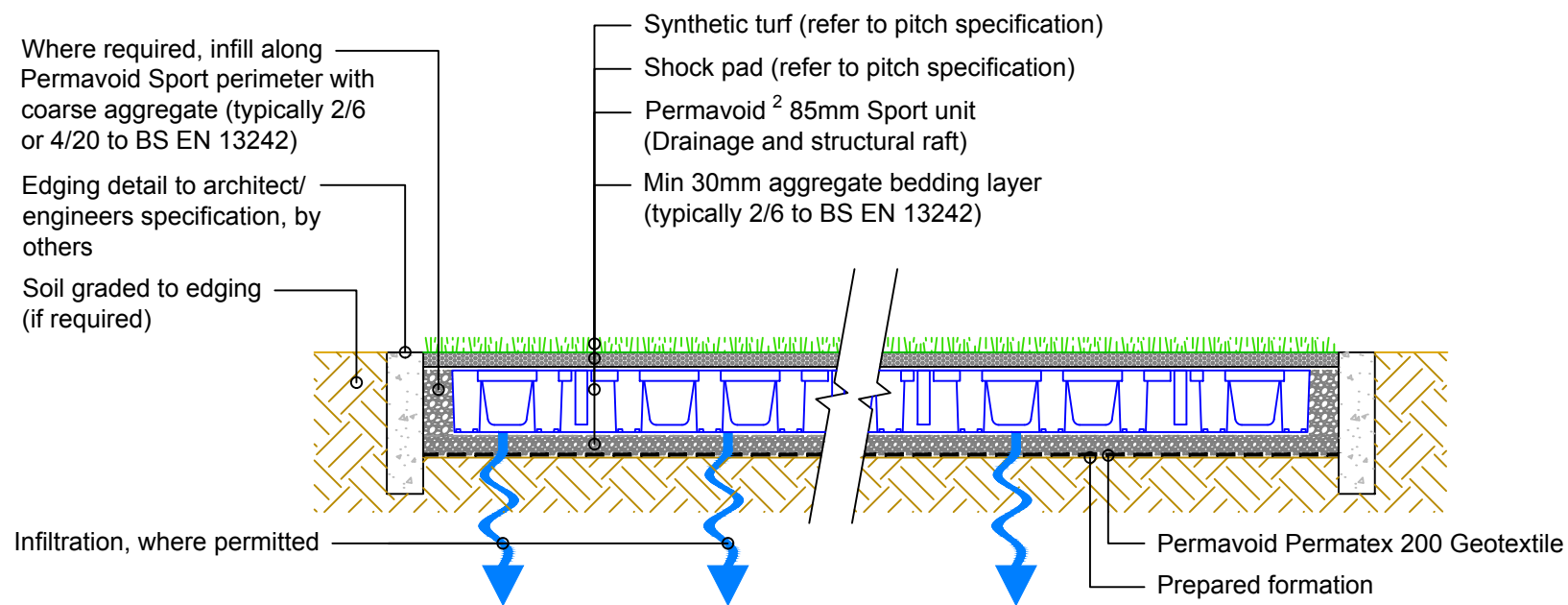
Description	Permavoid Saddle		Fitting		Adaptor		Outfall Pipe
	Product Code	Description	Product Code	Description	Product Code	Description	
170/110 (110mm Ø spigot)	PV06531	110mm BS EN 1401-1 D/S coupler	UD401		N/A		110mm Ø BS EN 1401-1
170/160 (160mm Ø spigot)	PV06535	160mm BS EN 1401-1 D/S coupler	UD601		N/A		160mm Ø BS EN 1401-1
170/110 (110mm Ø spigot)	PV06531	110mm BS EN 1401-1 D/S coupler	UD401	100mm Ridgidrain socket to 110mm BS EN 1401-1 spigot	ARD100110		100mm Ø Ridgidrain
170/160 (160mm Ø spigot)	PV06535	160mm BS EN 1401-1 D/S coupler	UD601	150mm Ridgidrain socket to 160mm BS EN 1401-1 spigot	ARD150160		150mm Ø Ridgidrain

**Note**  
1) To be read in conjunction with detail A1 and A2

**NOTES**

- To be read in conjunction with architect's / engineer's / sports pitch consultant's specification.
- Typical installation details shown. A site specific assessment of the proposed pitch construction should be undertaken by suitably qualified personnel, considering the underlying ground conditions and overall site drainage plan. Contact Polypipe Civils' technical office for further information.
- All dimensions are nominal, unless otherwise stated.
- All dimensions are in millimetres, unless otherwise stated.
- All site temporary and enabling works by others.
- Polypipe products to be installed in accordance with Polypipe Civils recommendations, giving due consideration to the requirements of the approving organisation(s) and the ultimate owner of the installation.
- This drawing is intended for guidance only. All proposed installations should be assessed in the context of the site and expected operational conditions, in addition to the overall site drainage scheme, prior to commencement of final design or construction activities.
- All construction activities shall be executed by competent personnel, in accordance with all relevant legislation, regulations, standards or codes of practice.

REV	AMENDMENT	DATE



**TYPICAL SECTION**  
Scale 1:10

**NOTES**

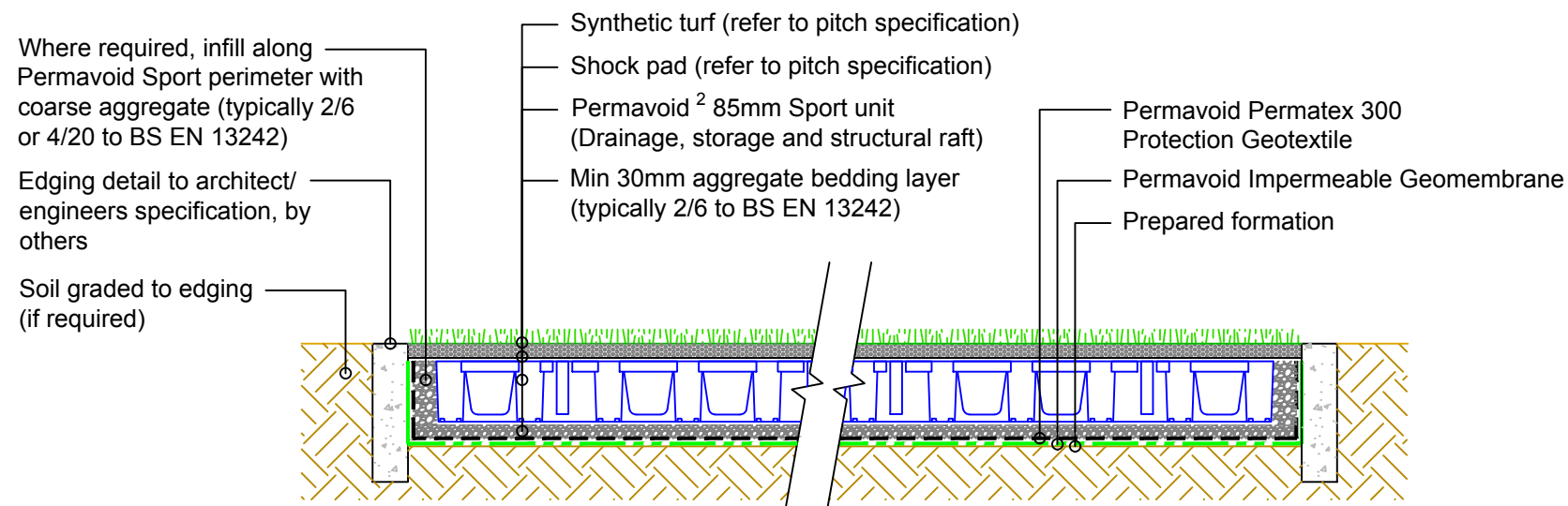
1. To be read in conjunction with architect's / engineer's / sports pitch consultant's specification.
2. Typical installation details shown. A site specific assessment of the proposed pitch construction should be undertaken by suitably qualified personnel, considering the underlying ground conditions and overall site drainage plan. Contact Polypipe Civils' technical office for further information.
3. All dimensions in millimetres, unless otherwise stated.
4. All dimensions are nominal and may vary within manufacturing or construction tolerances.
5. All site temporary and enabling works by others.
6. Polypipe products to be installed in accordance with Polypipe Civils recommendations, giving due consideration to the requirements of the approving organisation(s) and the ultimate owner of the installation.
7. This drawing is intended for guidance only. All proposed installations should be assessed in the context of the site and expected operational conditions, in addition to the overall site drainage scheme, prior to commencement of final design or construction activities.
8. All construction activities shall be executed by competent personnel, in accordance with all relevant legislation, regulations, standards or codes of practice.

REV	AMENDMENT	DATE

All information in this document is of an illustrative nature and is supplied by Polypipe Civils without charge. Polypipe may modify and change the information, products and specifications from time to time for a variety of reasons, without prior notice. Updates will not be issued automatically. This information is not intended to have any legal effect, whether by way of advice, representation or warranty (express or implied). We accept no liability whatsoever (to the extent permitted by law), if you place any reliance on this document you must do so at your own risk. The information within this document should not be solely relied upon to determine the suitability or installation requirements of our products for a proposed application and expected site conditions; expert advice should be sought in this respect.  
Copyright © 2019 Polypipe. All rights reserved. 'Polypipe logo' is a registered trademark of Polypipe. All Polypipe products are protected by Design Right under CDPA 1988.

**Polypipe**  
Polypipe Civils  
North Road, Loughborough  
Leicestershire, LE11 1LE  
Tel: 01509 615100  
Fax: 01509 615215  
www.polypipe.com/civils

PROJECT	POLYPIPE PERMAVOID SPORTS SYSTEM TYPICAL CONSTRUCTION DETAIL		STATUS FOR INFORMATION	
DRAWING TITLE	PERMAVOID <sup>2</sup> 85mm SPORT RAFT SYNTHETIC TURF WITH INFILTRATION		SHEET SIZE A3	SHEET NO. 1 of 1
			DRAWN BY SH	SCALE As Shown
			DATE 01/03/2019	DRAWING NO. IG-PVS-SD-I-85R-R-ST
			REV.	



**TYPICAL SECTION**  
Scale 1:10

**NOTES**

1. To be read in conjunction with architect's / engineer's / sports pitch consultant's specification.
2. Typical installation details shown. A site specific assessment of the proposed pitch construction should be undertaken by suitably qualified personnel, considering the underlying ground conditions and overall site drainage plan. Contact Polypipe Civils' technical office for further information.
3. All dimensions in millimetres, unless otherwise stated.
4. All dimensions are nominal and may vary within manufacturing or construction tolerances.
5. All site temporary and enabling works by others.
6. Polypipe products to be installed in accordance with Polypipe Civils recommendations, giving due consideration to the requirements of the approving organisation(s) and the ultimate owner of the installation.
7. This drawing is intended for guidance only. All proposed installations should be assessed in the context of the site and expected operational conditions, in addition to the overall site drainage scheme, prior to commencement of final design or construction activities.
8. All construction activities shall be executed by competent personnel, in accordance with all relevant legislation, regulations, standards or codes of practice.

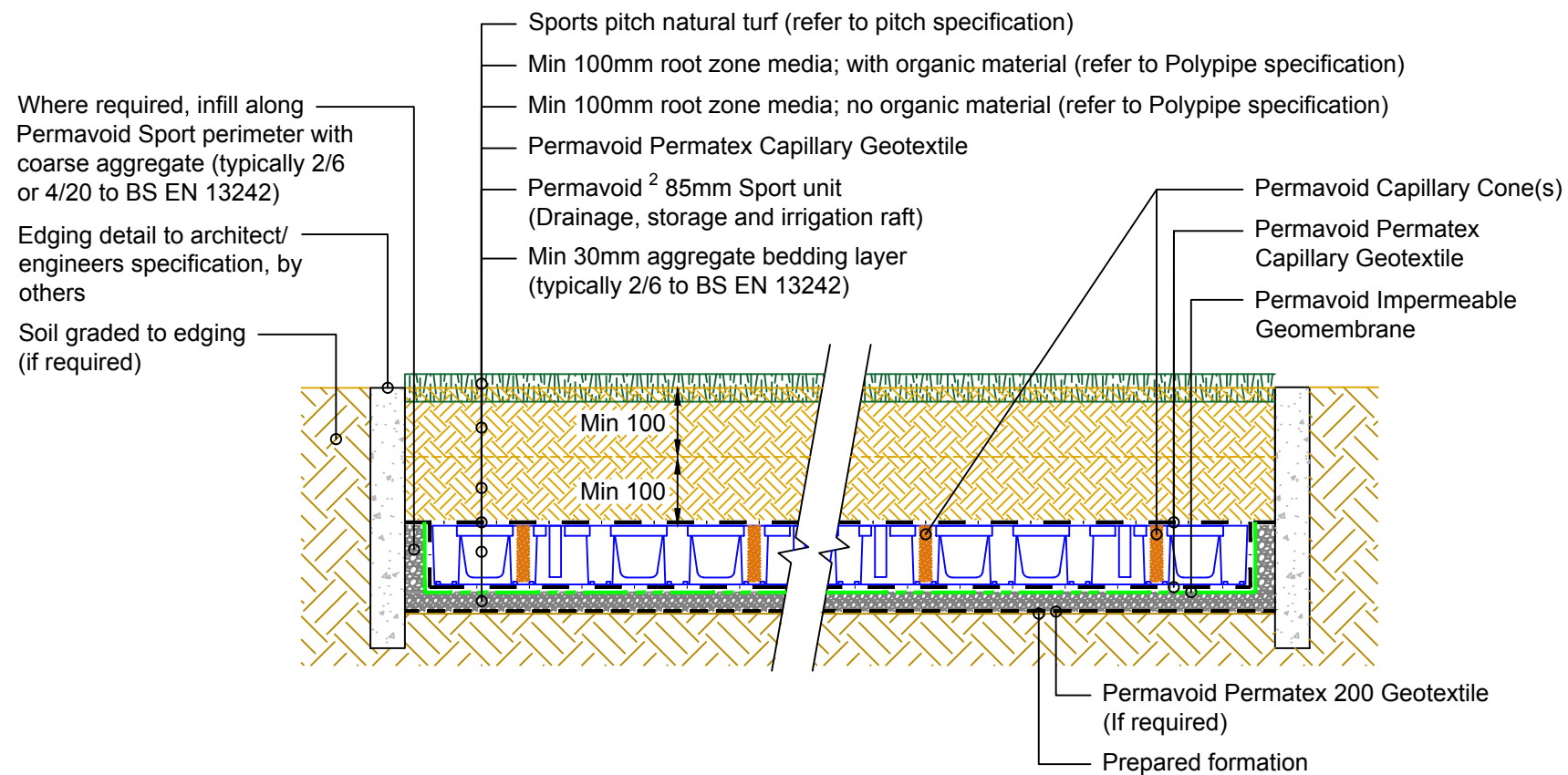
REV	AMENDMENT	DATE

All information in this document is of an illustrative nature and is supplied by Polypipe Civils without charge. Polypipe may modify and change the information, products and specifications from time to time for a variety of reasons, without prior notice. Updates will not be issued automatically. This information is not intended to have any legal effect, whether by way of advice, representation or warranty (express or implied). We accept no liability whatsoever (to the extent permitted by law), if you place any reliance on this document you must do so at your own risk. The information within this document should not be solely relied upon to determine the suitability or installation requirements of our products for a proposed application and expected site conditions; expert advice should be sought in this respect.  
Copyright © 2019 Polypipe. All rights reserved. 'Polypipe logo' is a registered trademark of Polypipe. All Polypipe products are protected by Design Right under CDPA 1988.

**Polypipe**  
Polypipe Civils  
North Road, Loughborough  
Leicestershire, LE11 1LE  
Tel: 01509 615100  
Fax: 01509 615215  
www.polypipe.com/civils

PROJECT	POLYPIPE PERMAVOID SPORTS SYSTEM TYPICAL CONSTRUCTION DETAIL	
DRAWING TITLE	PERMAVOID <sup>2</sup> 85mm SPORT RAFT SYNTHETIC TURF WITH ATTENUATION STORAGE	

STATUS FOR INFORMATION		
SHEET SIZE A3	SHEET NO. 1 of 1	DRAWN BY SH
SCALE As Shown	DATE 01/03/2019	
DRAWING NO. IG-PVS-SD-A-85R-R-ST		REV.



**TYPICAL SECTION**  
Scale 1:10

**NOTES**

1. To be read in conjunction with architect's / engineer's / sports pitch consultant's specification.
2. Typical installation details shown. A site specific assessment of the proposed pitch construction should be undertaken by suitably qualified personnel, considering the underlying ground conditions and overall site drainage plan. Contact Polypipe Civils' technical office for further information.
3. All dimensions in millimetres, unless otherwise stated.
4. All dimensions are nominal and may vary within manufacturing or construction tolerances.
5. All site temporary and enabling works by others.
6. Polypipe products to be installed in accordance with Polypipe Civils recommendations, giving due consideration to the requirements of the approving organisation(s) and the ultimate owner of the installation.
7. This drawing is intended for guidance only. All proposed installations should be assessed in the context of the site and expected operational conditions, in addition to the overall site drainage scheme, prior to commencement of final design or construction activities.
8. All construction activities shall be executed by competent personnel, in accordance with all relevant legislation, regulations, standards or codes of practice.

REV	AMENDMENT	DATE

All information in this document is of an illustrative nature and is supplied by Polypipe Civils without charge. Polypipe may modify and change the information, products and specifications from time to time for a variety of reasons, without prior notice. Updates will not be issued automatically. This information is not intended to have any legal effect, whether by way of advice, representation or warranty (express or implied). We accept no liability whatsoever (to the extent permitted by law), if you place any reliance on this document you must do so at your own risk. The information within this document should not be solely relied upon to determine the suitability or installation requirements of our products for a proposed application and expected site conditions; expert advice should be sought in this respect.  
Copyright © 2019 Polypipe. All rights reserved. 'Polypipe logo' is a registered trademark of Polypipe. All Polypipe products are protected by Design Right under CDPA 1988.

**Polypipe**  
Polypipe Civils  
North Road, Loughborough  
Leicestershire, LE11 1LE  
Tel: 01509 615100  
Fax: 01509 615215  
www.polypipe.com/civils

PROJECT	POLYPIPE PERMAVOID SPORTS SYSTEM TYPICAL CONSTRUCTION DETAIL	
DRAWING TITLE	PERMAVOID <sup>2</sup> 85mm SPORT RAFT NATURAL TURF WITH PASSIVE IRRIGATION	

STATUS FOR INFORMATION		
SHEET SIZE A3	SHEET NO. 1 of 1	DRAWN BY SH
SCALE As Shown	DATE 01/03/2019	
DRAWING NO. IG-PVS-SD-I-85R-R-PINT		REV.