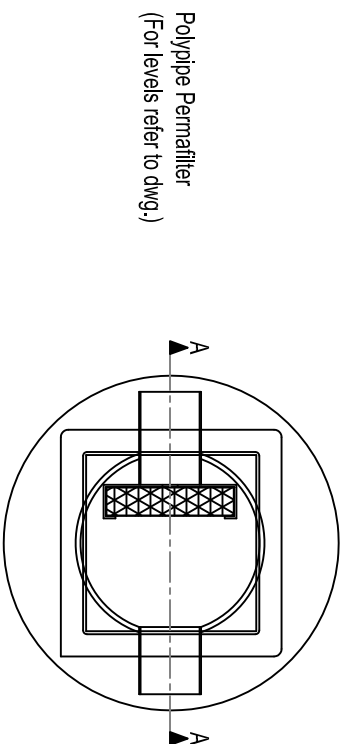
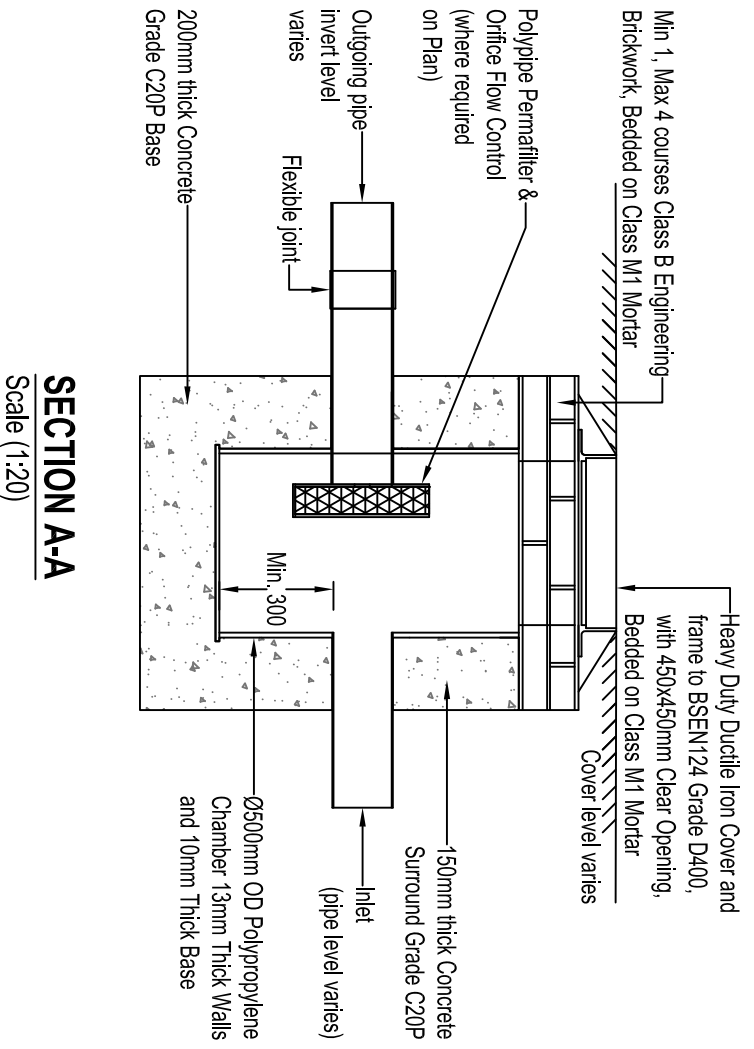


**Ø500mm POLYPYPIPE CATCHPIT INSPECTION CHAMBER
INCORPORATING FLOW CONTROL AND DEBRIS DEVICE**

Scale (1:20)



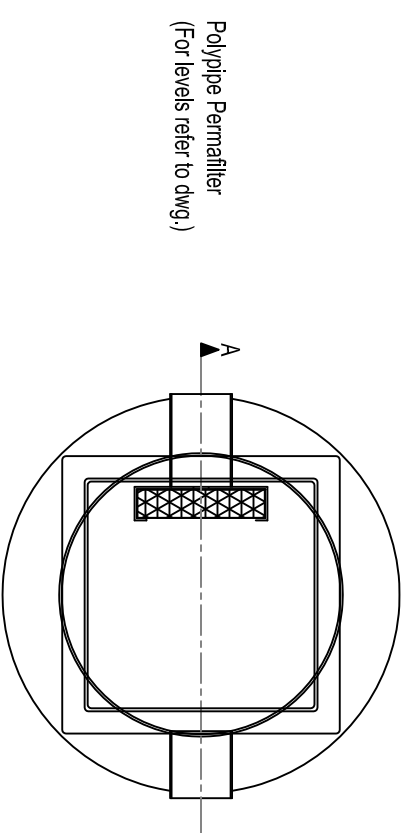
PLAN
Scale (1:20)



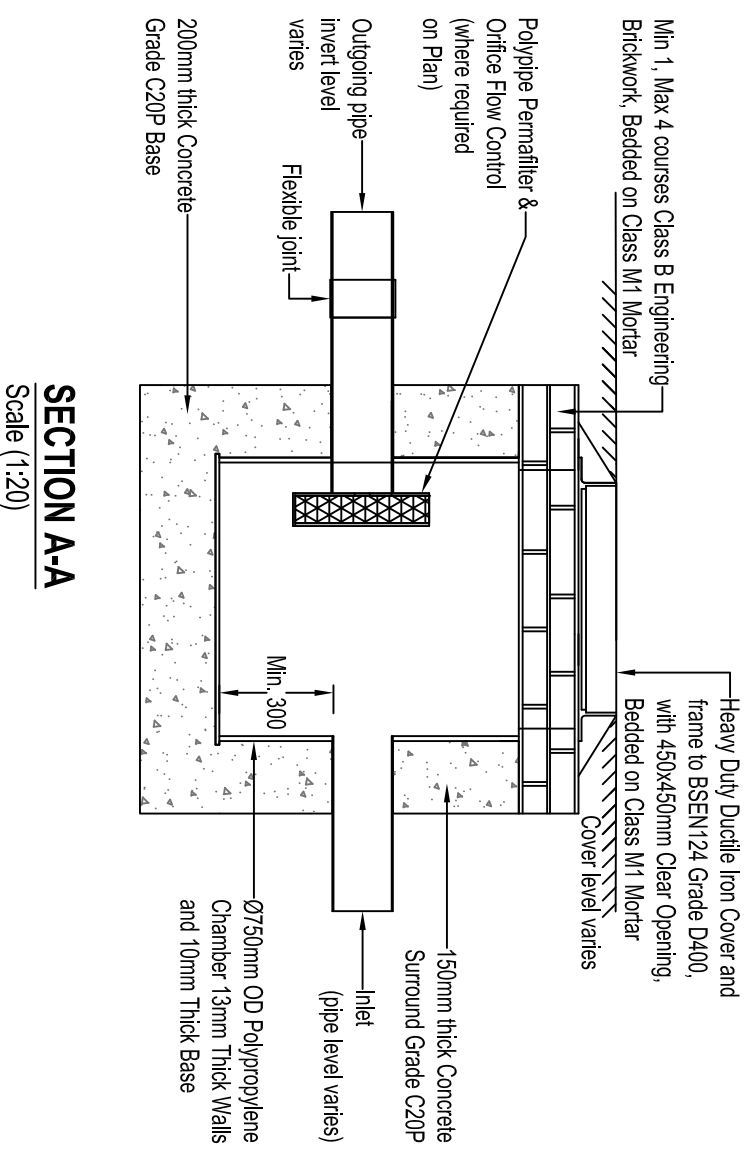
SECTION A-A
Scale (1:20)

**Ø750mm POLYPYPIPE CATCHPIT INSPECTION CHAMBER
INCORPORATING FLOW CONTROL AND DEBRIS DEVICE**

Scale (1:20)



PLAN
Scale (1:20)



SECTION A-A
Scale (1:20)

NOTES

1. All dimensions in millimetres, unless otherwise stated.
2. All dimensions are nominal and may vary within manufacturing tolerances.
3. All site temporary and enabling works by others.
4. Permavoid units to be installed in accordance with Polypipe Civils recommendations (refer to Polypipe technical guidance for further information); giving due consideration to the requirements of the organisation who will be taking ultimate ownership of the installation.
5. This drawing is intended for guidance only. Confirmation of the information contained within this document should be sought from the consulting engineers before final design or construction activities commence.

REV	AMENDMENT	DATE

STATUS	FOR INFORMATION
--------	-----------------

PROJECT	PERMAVOID STANDARD DETAIL
TITLE	FLOW CONTROL DEVICES
DATE	15/07/15
ORIGINAL SIZE	A3
SCALE	AS SHOWN
DRAWING NO.	PV_SD_CD_005
DRAWN BY	BM
DATE	
REV	

Polypipe
Civils

Chamwood Business Park,
North Road, Loughborough,
Leicestershire, LE11 1LE

Tel: 01509 615100
Fax: 01509 615215
www.polypipe.com/civils
www.polypipe.com/wms

The information in this document is of an illustrative nature and is supplied by Polypipe Civils without charge. This document does not form the whole or any part of a contract or intended contract with the user. The information within this document should not be solely relied upon to determine the suitability or installation requirements of our products for a proposed application and expected site conditions; expert advice should be sought in this respect. Final determination of the suitability of any information or material for the use contemplated and the manner of use is the sole responsibility of the user and the user must assume all risk and liability in connection therewith. Further information with regard to liabilities may be found at www.polypipe.com/disclaimer.