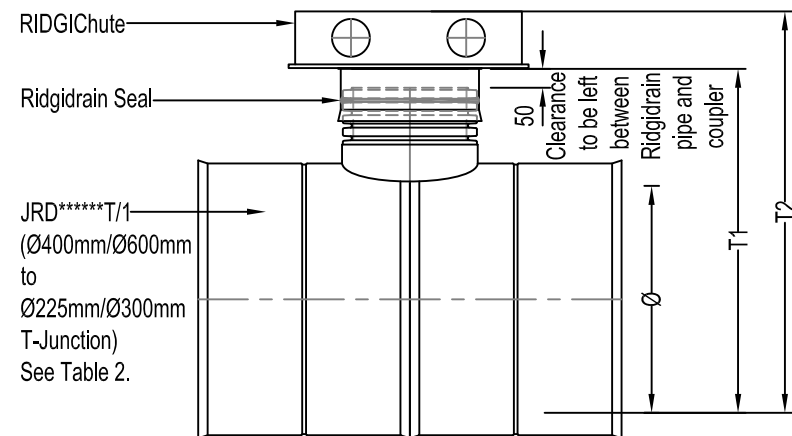
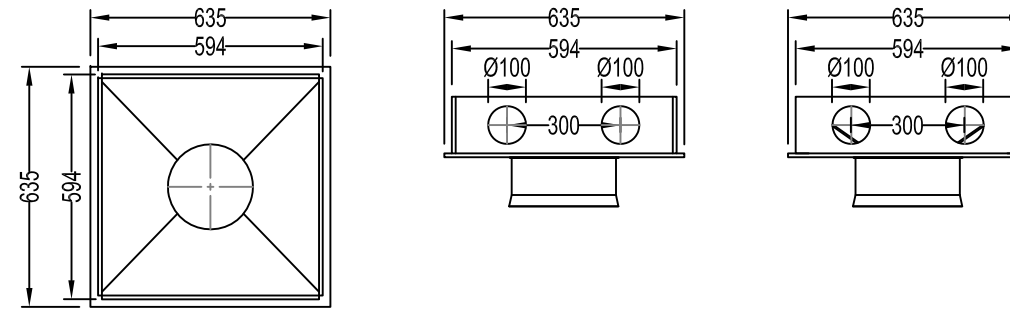


RIDGICHUTE



RIDGICHUTE - INSTALLATION



RIDGICHUTE DETAILS

TABLE 1.

TOLERANCE		
ONE CORRUGATION		
± 225	34	mm
± 300	40	mm

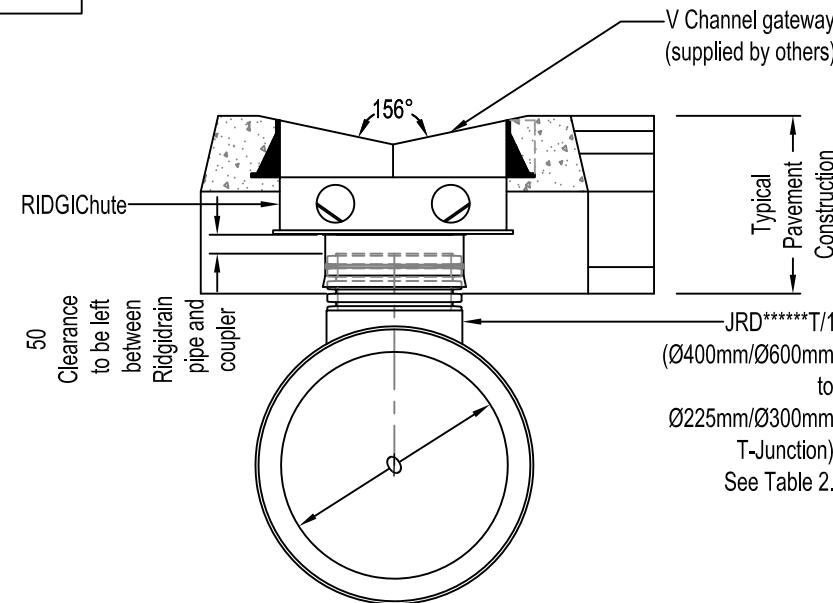
NOTE:
The RIDGICHUTE must be surrounded 150mm and filled with ST4 concrete

TABLE 2.

	DIMENSIONS				CODE	
	X1	X2 min	Ø	Z	Ø225	Ø300
Ø225	282	185	-	-	mm	-
Ø300	290	200	-	-	mm	-
Ø400	-	-	400	435	mm	JRD400225T/1 JRD400300T/1
Ø450	-	-	450	495	mm	JRD450225T/1 JRD450300T/1
Ø500	-	-	500	545	mm	JRD500225T/1 JRD500300T/1
Ø600	-	-	600	660	mm	JRD600225T/1 JRD600300T/1

TABLE 3.

Ø	DIMENSIONS					
	T1	T2	Ø225	Ø300	Ø225	Ø300
Ø400	400	620	635	772	787	mm
Ø450	450	680	695	832	847	mm
Ø500	500	730	745	882	897	mm
Ø600	600	845	860	997	1012	mm



RIDGICHUTE - PAVEMENT MAKE-UP SHOWN

DRAWING NOTES

1. Drawings should not be scaled, refer to figured dimensions only.
2. All dimensions in millimetres, unless otherwise stated.
3. All dimensions are nominal and may vary within manufacturing or construction tolerances.
4. All site temporary and enabling works by others.
5. This drawing is intended for guidance only. Confirmation of the information contained within this document should be sought from the consulting engineers before final design or construction activities commence.

REV	AMENDMENT	DATE
-----	-----------	------

The information in this document is of an illustrative nature and is supplied by Polypipe Civils without charge. This document does not form the whole or any part of a contract or intended contract with the user. The information within this document should not be solely relied upon to determine the suitability or installation requirements of our products for a proposed application and expected site conditions; expert advice should be sought in this respect. Final determination of the suitability of any information or material for the use contemplated and the manner of use is the sole responsibility of the user and the user must assume all risk and liability in connection therewith. Further information with regard to liabilities may be found at www.polypipe.com/disclaimer.

Polypipe
 Polypipe Civils
 Chamwood Business Park
 North Road, Loughborough
 Leicestershire, LE11 1LE
 Tel: 01509 615100
 Fax: 01509 615215
www.polypipe.com/civils

PROJECT NAME	RIDGICHUTE			STATUS		FOR INFORMATION	
PROJECT TYPE	600mm x 600mm RIDGICHUTE (MIN INSTALLATION DEPTH)			SHEET SIZE	SHEET NO.	DRAWN BY	
				A3	1 of 2	KT	
				SCALE	DATE		
				NTS	13-08-18		
				DRAWING NO.	REV.		
				RCH_SD_001	-		

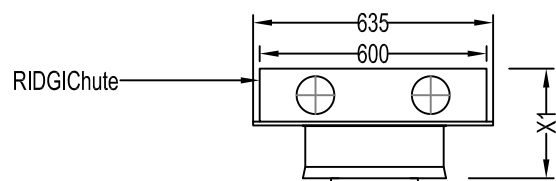
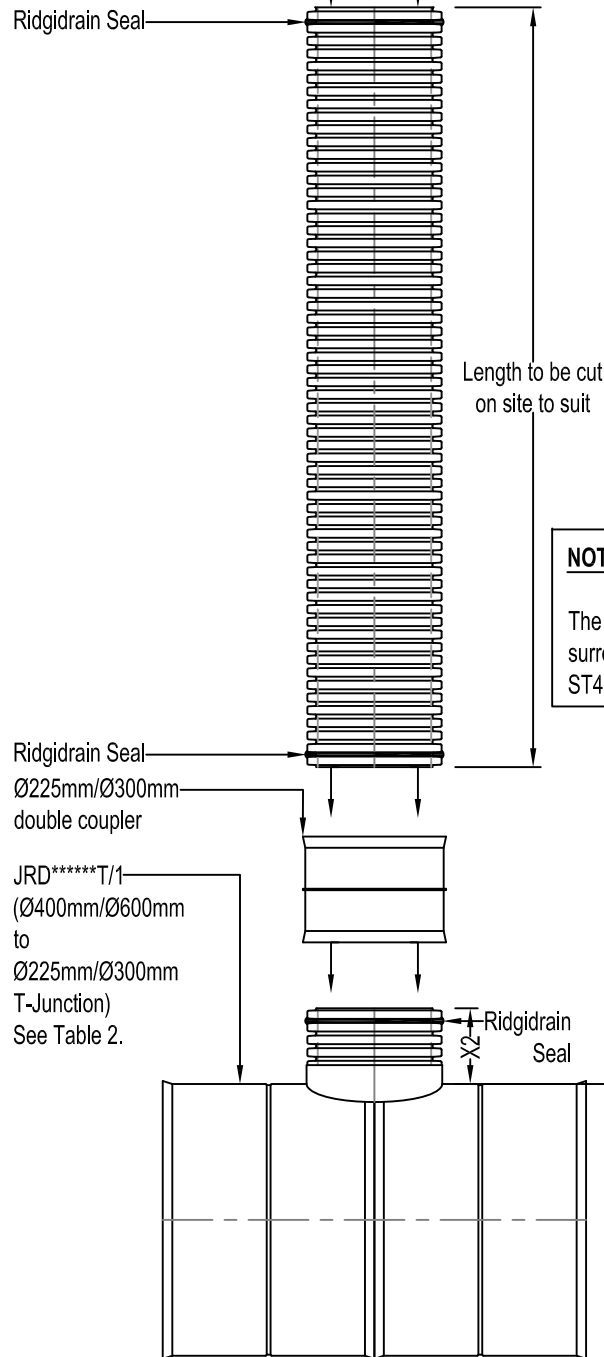


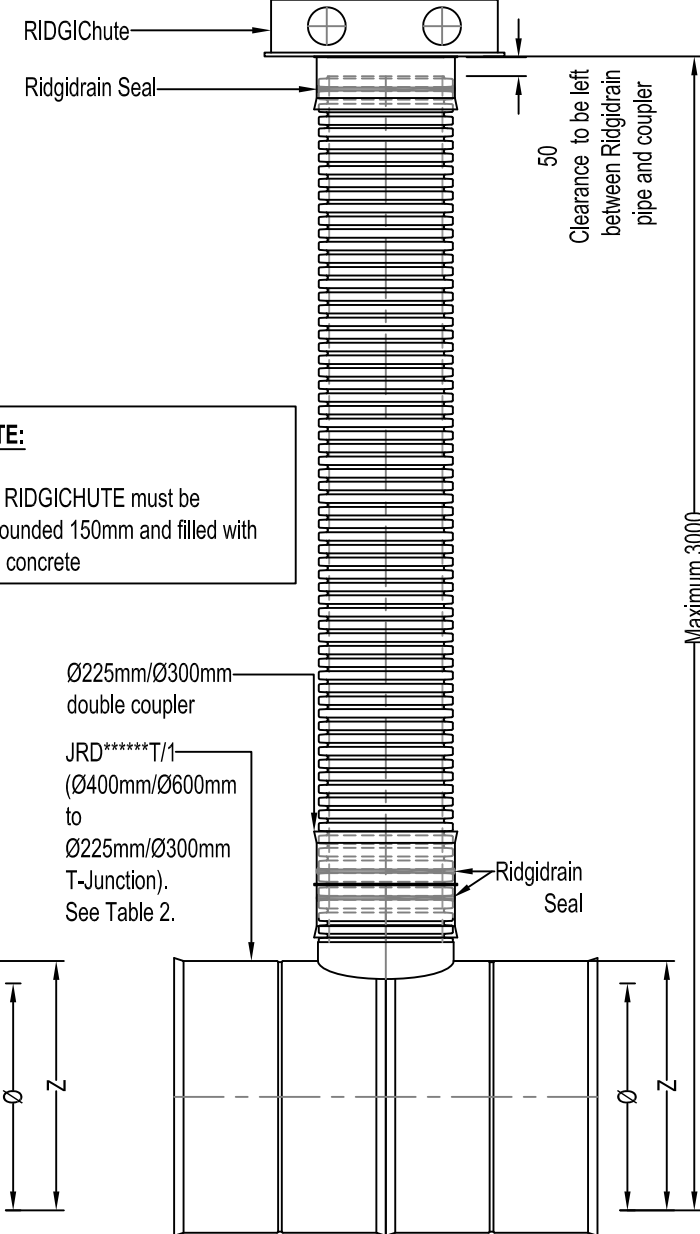
TABLE 2.

	DIMENSIONS				CODE	
	X1	X2	Ø	Z	Ø225	Ø300
Ø225	282	185	-	-	mm	-
Ø300	290	200	-	-	mm	-
Ø400	-	-	400	435	mm	JRD400225T/1 JRD400300T/1
Ø450	-	-	450	495	mm	JRD450225T/1 JRD450300T/1
Ø500	-	-	500	545	mm	JRD500225T/1 JRD500300T/1
Ø600	-	-	600	660	mm	JRD600225T/1 JRD600300T/1

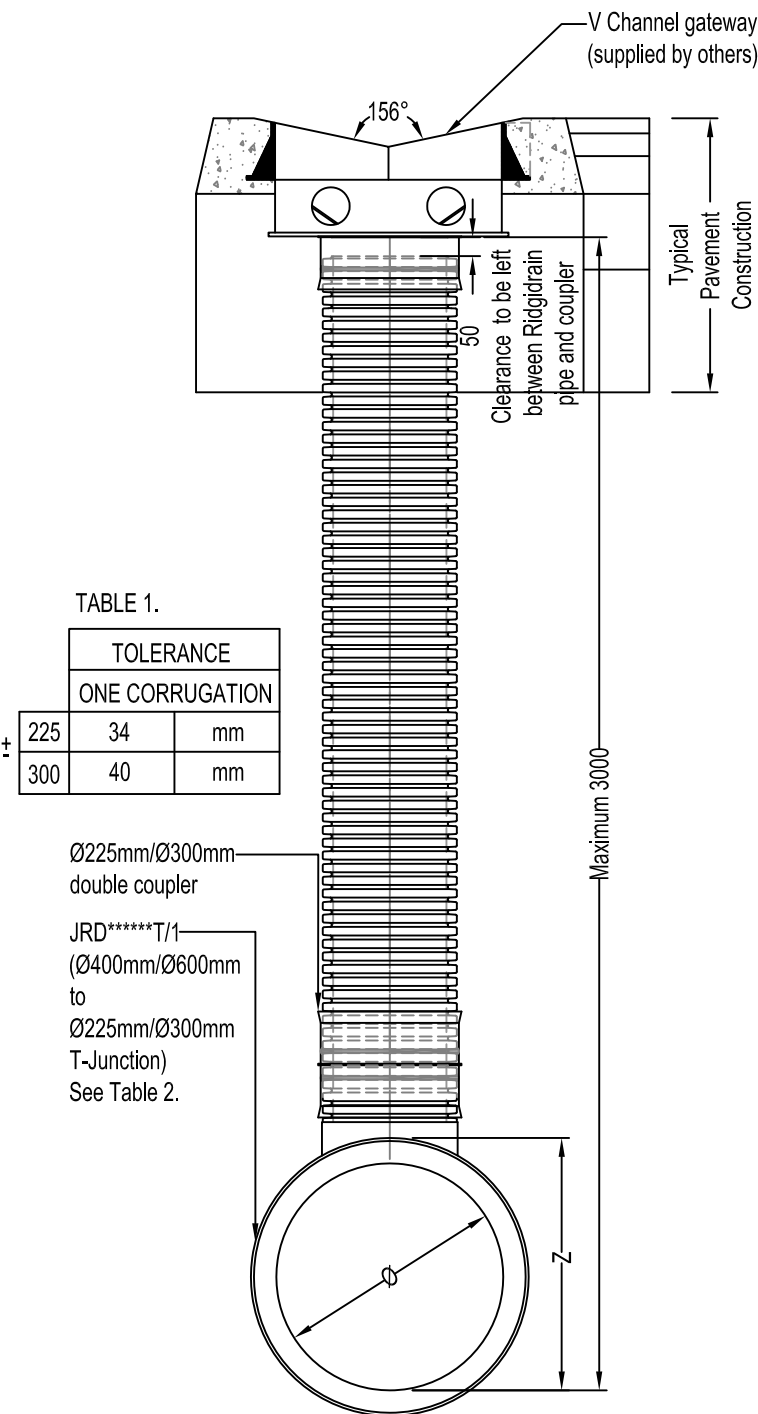


RIDGICHUTE - INSTALLATION - EXPLODED

NOTE:
The RIDGICHUTE must be surrounded 150mm and filled with ST4 concrete



RIDGICHUTE



RIDGICHUTE - PAVEMENT MAKE-UP SHOWN

TABLE 1.

TOLERANCE		
ONE CORRUGATION		
225	34	mm
300	40	mm

Ø225mm/Ø300mm double coupler
JRD*****T/1 (Ø400mm/Ø600mm to Ø225mm/Ø300mm T-Junction) See Table 2.

DRAWING NOTES

1. Drawings should not be scaled, refer to figured dimensions only.
2. All dimensions in millimetres, unless otherwise stated.
3. All dimensions are nominal and may vary within manufacturing or construction tolerances.
4. All site temporary and enabling works by others.
5. This drawing is intended for guidance only. Confirmation of the information contained within this document should be sought from the consulting engineers before final design or construction activities commence.

REV	AMENDMENT	DATE
-----	-----------	------

The information in this document is of an illustrative nature and is supplied by Polypipe Civils without charge. This document does not form the whole or any part of a contract or intended contract with the user. The information within this document should not be solely relied upon to determine the suitability or installation requirements of our products for a proposed application and expected site conditions; expert advice should be sought in this respect. Final determination of the suitability of any information or material for the use contemplated and the manner of use is the sole responsibility of the user and the user must assume all risk and liability in connection therewith. Further information with regard to liabilities may be found at www.polypipe.com/disclaimer.



Polypipe Civils
Charmwood Business Park
North Road, Loughborough
Leicestershire, LE11 1LE
Tel: 01509 615100
Fax: 01509 615215
www.polypipe.com/civils

PROJECT NAME	RIDGICHUTE		STATUS FOR INFORMATION	
PROJECT TYPE	600mm x 600mm RIDGICHUTE (MAX INSTALLATION DEPTH)		SHEET SIZE A3	SHEET NO. 2 of 2
			DRAWN BY KT	
			SCALE NTS	DATE 13-08-18
			DRAWING NO. RCH_SD_001	REV. -