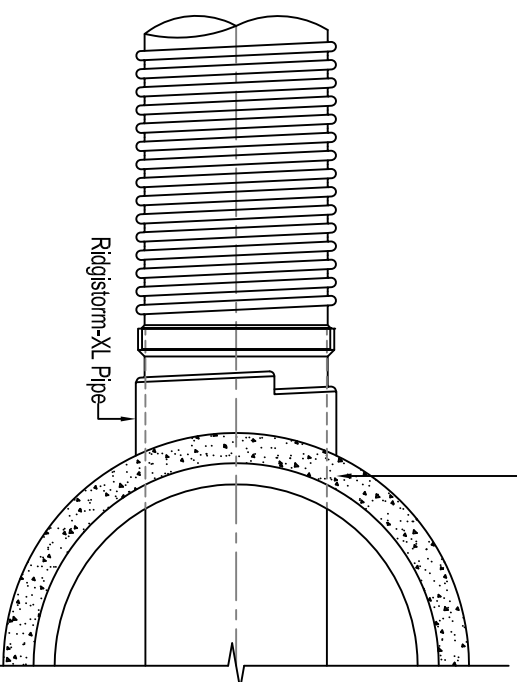
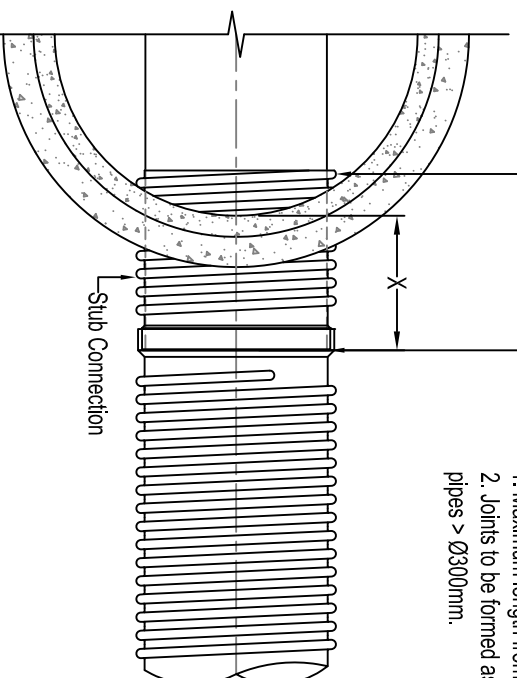


Joint to be as close as possible to face of manhole to permit satisfactory joint and subsequent movement

Pipe joint with channel to be located a minimum of 100mm inside the face of manhole



### RIDGISTORM-XL CHAMBER



### CONCRETE CHAMBER

**Stub Connections**

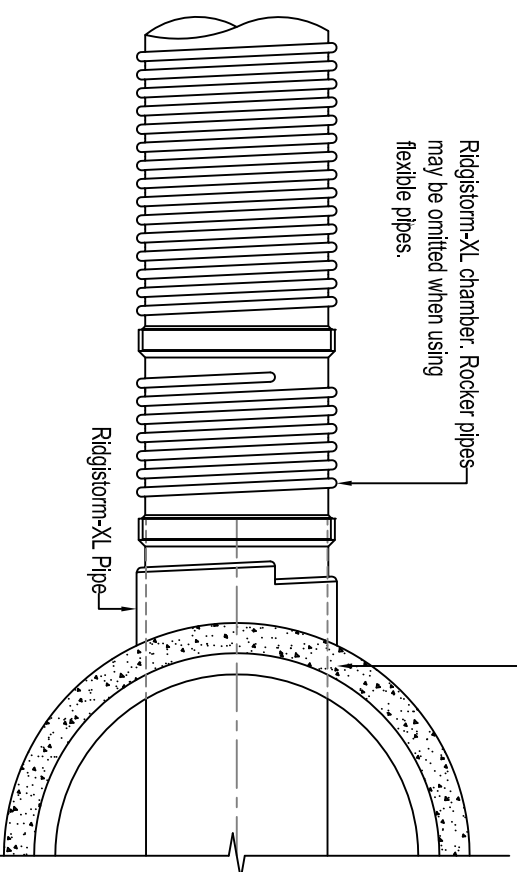
Stub	Specification Guide		
Length	CESWI	S.H.W	SFA 7
X	600mm <sup>1</sup>	500mm <sup>1</sup>	Min. 150mm ≤ Ø300mm <sup>2</sup>

**NOTES:**

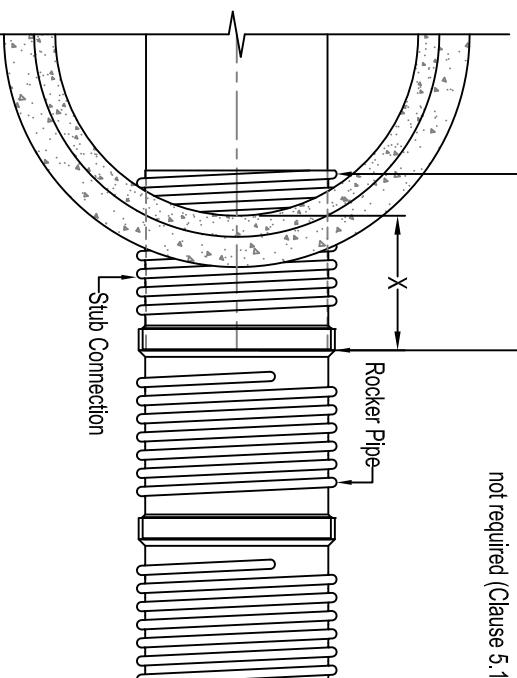
1. Maximum length from inner face of manhole wall.
2. Joints to be formed as close as feasible to chamber outer wall for pipes > Ø300mm.

Joint to be as close as possible to face of manhole to permit satisfactory joint and subsequent movement

Pipe joint with channel to be located a minimum of 100mm inside the face of manhole



### RIDGISTORM-XL CHAMBER



### CONCRETE CHAMBER

RidgistorM-XL chamber. Rocker pipes may be omitted when using flexible pipes.

### Rocker Pipes

**Specification Guide**

SFA 7 & CESWI <sup>1</sup>	Length (mm)	S.H.W	Ø (mm)	Length (mm)
150 - 600	600	≤ 450	500 - 700	
600 - 750	1000	> 450	750 - 1000	
> 750	1250			

1. CESWI states if flexible pipes are being used, rocker pipes are not required (Clause 5.19, subnote ii).

**NOTES - SPECIFICATION DOCUMENTS**

1. CESWI - Civil Engineering Specification for the Water Industry, 7th Edition.
2. SHW - Specification for Highways Works, Series 500.
3. SFA 7 - Sewers for Adoption, 7th Edition.

**NOTES**

1. All dimensions in millimetres, unless otherwise stated.
2. All dimensions are nominal and may vary within manufacturing or construction tolerances.
3. All site temporary and enabling works by others.
4. RidgistorM-XL units to be installed in accordance with Polypipe Civils recommendations (refer to Polypipe technical guidance for further information); giving due consideration to the requirements of the organisation who will be taking ultimate ownership of the installation.
5. Dimensions are based on a minimum stiffness class SN2 pipe; corresponding to the standardised pipe profiles current at the time of this drawing's issue.
6. This drawing is intended for guidance only. Confirmation of the information contained within this document should be sought from the consulting engineers before final design or construction activities commence.
7. Unless otherwise stated, all RidgistorM-XL is supplied to site without direct means of lifting incorporated. The lift supervisor must assess and plan the lift, in the circumstances of the lift, and provide slings and/or other controls as deemed necessary to ensure a safe lift.
8. Minimum and maximum cover depths applicable, dictated by the expected native ground conditions, trafficking and proposed RidgistorM-XL pipe specification.



**Polypipe Civils**

Charmwood Business Park,  
North Road, Loughborough,  
Leicestershire, LE11 1LE

Tel: 01509 615100  
Fax: 01509 615215  
www.polypipe.com/civils  
www.polypipe.com/wms

PROJECT

**RIDGISTORM-XL STANDARD DETAILS**

STATUS  
**FOR INFORMATION**

TITLE

**STUB CONNECTIONS AND ROCKER PIPES**

DATE	DRAWN BY
16/03/16	JL
ORIGINAL SIZE	SCALE
A3	AS SHOWN
DRAWING NO.	REV.
RST_SD_FT_003	

The information in this document is of an illustrative nature and is supplied by Polypipe Civils without charge. This document does not form the whole or any part of a contract or intended contract with the user. The information within this document should not be solely relied upon to determine the suitability or installation requirements of our products for a proposed application and expected site conditions; expert advice should be sought in this respect. Final determination of the suitability of any information or material for the use contemplated and the manner of use is the sole responsibility of the user and the user must assume all risk and liability in connection therewith. Further information with regard to liabilities may be found at [www.polypipe.com/disclaimer](http://www.polypipe.com/disclaimer).