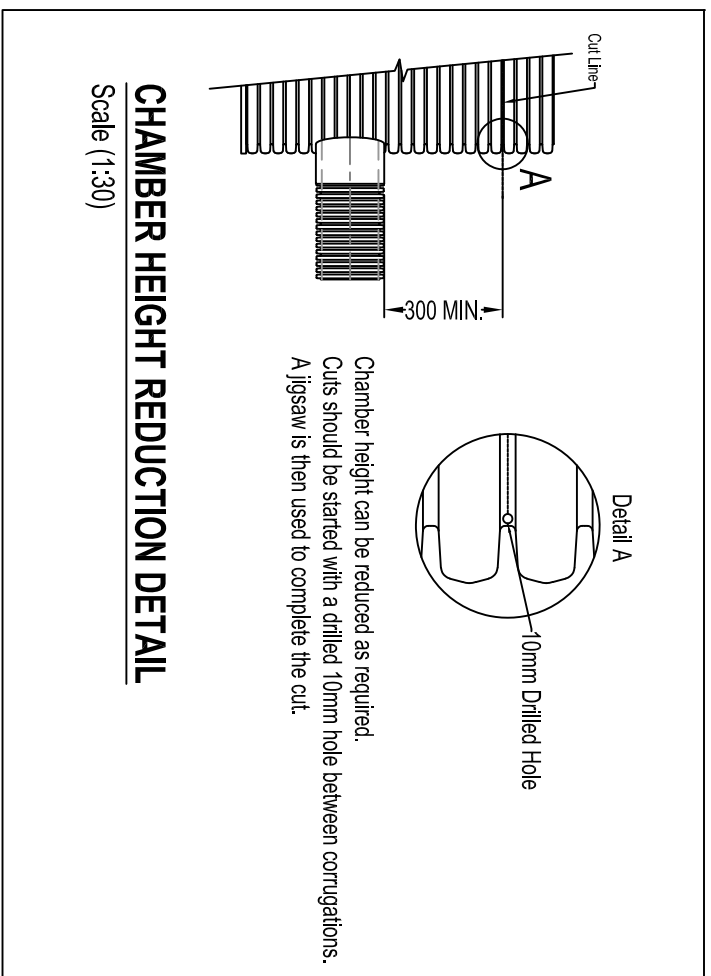


CP60015150 - PLAN
Scale (1:15)

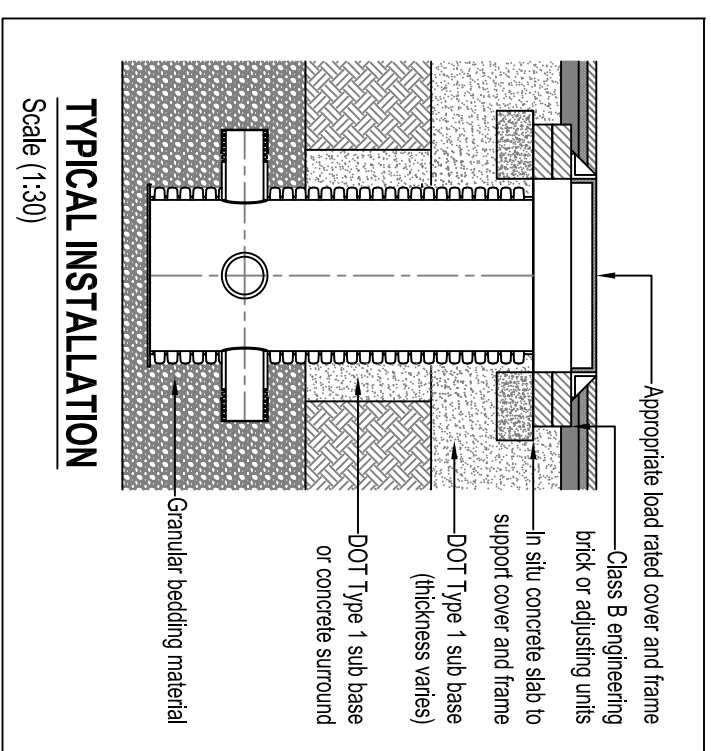
CP60015150 - SECTION A-A
Scale (1:15)

DRAWING NOTES

1. Drawings should not be scaled, refer to figured dimensions only.
2. All dimensions in millimetres, unless otherwise stated.
3. All dimensions are nominal and may vary within manufacturing or construction tolerances.
4. All site temporary and enabling works by others.
5. This drawing is intended for guidance only. Confirmation of the information contained within this document should be sought from the consulting engineers before final design or construction activities commence.
6. Catchpits to be installed in accordance with Polypipe Civils recommendations (refer to Polypipe technical guidance for further information); giving due consideration to the requirements of the organisation who will be taking ultimate ownership of the installation.
7. Unless otherwise stated, all Catchpits are supplied to site without direct means of lifting incorporated. The lift supervisor must assess and plan the lift, in the circumstances of the lift, and provide slings and/or other controls as deemed necessary to ensure a safe lift.
8. All inlet/outlet spigots are supplied with watertight end caps, which can be removed to suit project requirements.



CHAMBER HEIGHT REDUCTION DETAIL
Scale (1:30)



TYPICAL INSTALLATION
Scale (1:30)

The information in this document is of an illustrative nature and is supplied by Polypipe Civils without charge. This document does not form the whole or any part of a contract or intended contract with the user. The information within this document should not be solely relied upon to determine the suitability or installation requirements of our products for a proposed application and expected site conditions; expert advice should be sought in this respect. Final determination of the suitability of any information or material for the use contemplated and the manner of use is the sole responsibility of the user and the user must assume all risk and liability in connection therewith. Further information with regard to liabilities may be found at www.polypipe.com/disclaimer.



Polypipe Civils
Cherwood Business Park
North Road, Loughborough
Leicestershire, LE11 1LE
Tel: 01509 615100
Fax: 01509 615215
www.polypipe.com/civils

PROJECT NAME
QPIT TYPE 8 STANDARD DETAILS

PROJECT TYPE
CP60015150 CATCHPIT

STATUS
FOR INFORMATION

SHEET SIZE
A3

SHEET NO.
1 of 1

DRAWN BY
KT

SCALE
AS SHOWN

DATE
06/09/2018

DRAWING NO.
RST_SD_SE_005A

REV	AMENDMENT	DATE